

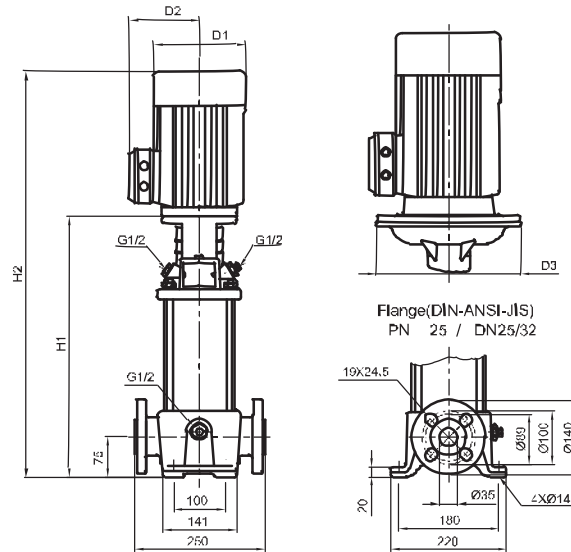
技術數據

Vertical Multistage Centrifugal In-line Pumps



STAIRS PUMPS

尺寸和重量-SB5



泵浦型號	電機 P ₂ [KW]	SB					
		尺寸 (mm)				淨重 (kg)	
		DIN flange		D1	D2	D3	DIN flange
H1	H2						
SB5-2	0.37	279	470	141	109	—	23
SB5-3	0.55	306	497	141	109	—	24
SB5-4	0.55	333	524	141	109	—	25
SB5-5	0.75	366	597	141	109	—	27
SB5-6	1.1	393	624	141	109	—	30
SB5-7	1.1	420	651	141	109	—	30
SB5-8	1.1	447	678	141	109	—	31
SB5-9	1.5	490	765	175	140	—	38.3
SB5-10	1.5	517	792	175	140	—	38.9
SB5-11	2.2	544	819	175	140	—	41.5
SB5-12	2.2	571	846	175	140	—	42.0
SB5-13	2.2	598	873	175	140	—	42.6
SB5-14	2.2	625	900	175	140	—	43.2
SB5-15	2.2	652	927	175	140	—	43.8
SB5-16	2.2	679	954	175	140	—	44.3
SB5-18	3	737	1057	196	148	—	52.2
SB5-20	3	791	1111	196	148	—	53.4
SB5-22	4	845	1180	219	162	—	61.5
SB5-24	4	899	1234	219	162	—	62.6
SB5-26	4	953	1288	219	162	—	63.8
SB5-29	4	1034	1369	219	162	—	65.5
SB5-32	5.5	1145	1505	234	199	300	85.9
SB5-36	5.5	1253	1613	234	199	300	88.2

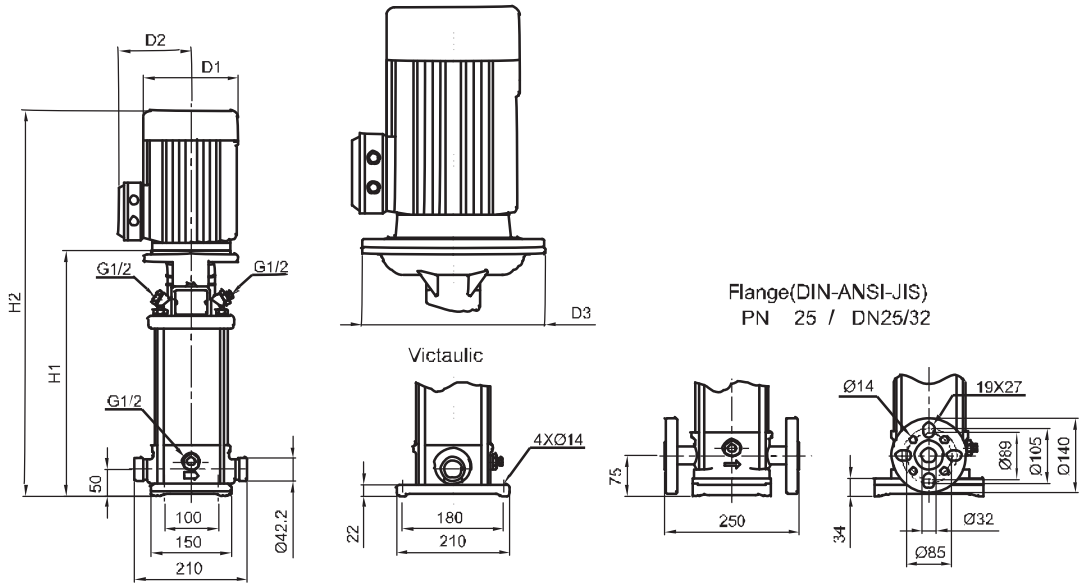
技術數據

Vertical Multistage Centrifugal In-line Pumps



STAIRS PUMPS

尺寸和重量-SBI,SBN5



泵浦型號	電機 P ₂ [KW]	SBI,SBN 尺寸 (mm)							淨重 (kg)	
		Victaulic		DIN flange		D1	D2	D3	Victaulic	DIN flange
		H1	H2	H1	H2					
SBI,SBN5-2	0.37	257	448	282	473	141	109	—	16	21
SBI,SBN5-3	0.55	284	475	309	500	141	109	—	18	22
SBI,SBN5-4	0.55	311	502	336	527	141	109	—	18	22
SBI,SBN5-5	0.75	344	575	369	600	141	109	—	21	25
SBI,SBN5-6	1.1	371	602	396	627	141	109	—	24	28
SBI,SBN5-7	1.1	398	629	423	654	141	109	—	24	28
SBI,SBN5-8	1.1	425	656	450	681	141	109	—	25	29
SBI,SBN5-9	1.5	468	743	493	768	175	140	—	32.5	36.5
SBI,SBN5-10	1.5	495	770	520	795	175	140	—	33.5	37.1
SBI,SBN5-11	2.2	522	797	547	822	175	140	—	36.1	39.6
SBI,SBN5-12	2.2	549	824	574	849	175	140	—	36.7	40.2
SBI,SBN5-13	2.2	576	851	601	876	175	140	—	37.2	40.8
SBI,SBN5-14	2.2	603	878	628	903	175	140	—	37.8	41.3
SBI,SBN5-15	2.2	630	905	655	930	175	140	—	38.4	41.9
SBI,SBN5-16	2.2	657	932	682	957	175	140	—	39.0	42.5
SBI,SBN5-18	3	715	1035	740	1060	196	148	—	46.5	50.1
SBI,SBN5-20	3	769	1089	794	1114	196	148	—	47.7	51.2
SBI,SBN5-22	4	823	1158	848	1183	219	162	—	55.8	59.4
SBI,SBN5-24	4	877	1212	902	1237	219	162	—	57.0	60.5
SBI,SBN5-26	4	931	1266	956	1291	219	162	—	58.1	61.6
SBI,SBN5-29	4	1012	1347	1037	1372	219	162	—	59.8	63.4
SBI,SBN5-32	5.5	1123	1483	1148	1508	234	199	300	80.2	83.7
SBI,SBN5-36	5.5	1231	1591	1256	1616	234	199	300	82.5	86.0