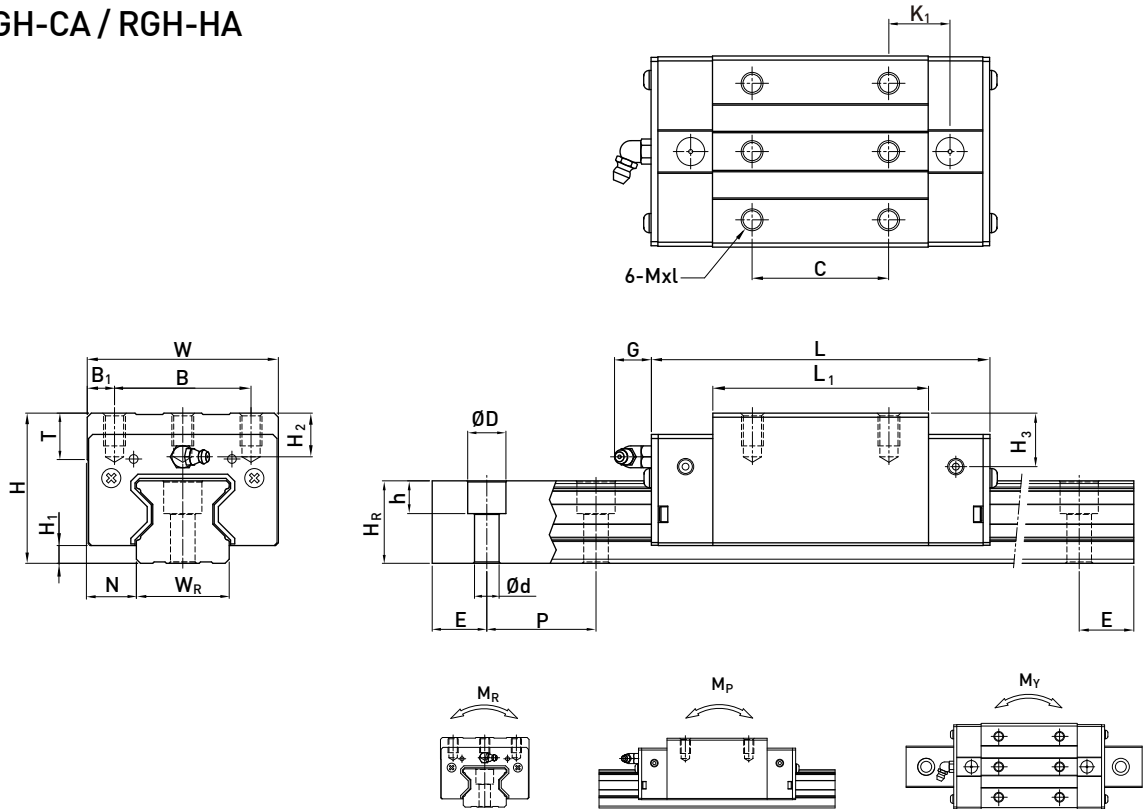


2-4-13 RG系列直线导轨尺寸表

(1) RGH-CA / RGH-HA



型号	组件尺寸 (mm)		滑块尺寸 (mm)										导轨尺寸 (mm)					导轨的固定螺栓尺寸	基本动额定负荷 C(kN)	基本静额定负荷 C ₀ (kN)	容许静力矩			重量							
	H	H ₁	N	W	B	B ₁	C	L ₁	L	K ₁	G	Mxl	T	H ₂	H ₃	W _R	H _R				D	h	d	P	E	M _R	M _P	M _Y	滑块	导轨	
	(mm)	(mm)	(mm)	(mm)	(mm)	(mm)	(mm)	(mm)	(mm)	(mm)	(mm)	(mm)	(mm)	(mm)	(mm)	(mm)	(mm)	(mm)	(mm)	(mm)	(mm)	(mm)	(mm)	(mm)	(mm)	(mm)	(mm)	(mm)	(mm)	(mm)	(mm)
RGH 25CA	40	5.5	12.5	48	35	6.5	35	64.5	97.9	20.75	12	M6x8	9.5	10.2	10	23	23.6	11	9	7	30	20	M6x20	27.7	57.1	0.758	0.605	0.605	0.55	3.08	
RGH 25HA							50	81	114.4	21.5													M6x20	33.9	73.4	0.975	0.991	0.991	0.7		
RGH 30CA	45	6	16	60	40	10	40	71	109.8	23.5	12	M8x10	9.5	9.5	13.8	28	28	14	12	9	40	20	M8x25	39.1	82.1	1.445	1.06	1.06	0.82	4.41	
RGH 30HA							60	93	131.8	24.5													M8x25	48.1	105	1.846	1.712	1.712	1.07		
RGH 35CA	55	6.5	18	70	50	10	50	79	124	22.5	12	M8x12	12	16	19.6	34	30.2	14	12	9	40	20	M8x25	57.9	105.2	2.17	1.44	1.44	1.43	6.06	
RGH 35HA							72	106.5	151.5	25.25													M8x25	73.1	142	2.93	2.6	2.6	1.86		
RGH 45CA	70	8	20.5	86	60	13	60	106	153.2	31	12.9	M10x17	16	20	24	45	38	20	17	14	52.5	22.5	M12x35	92.6	178.8	4.52	3.05	3.05	2.97	9.97	
RGH 45HA							80	139.8	187	37.9													M12x35	116	230.9	6.33	5.47	5.47	3.97		
RGH 55CA	80	10	23.5	100	75	12.5	75	125.5	183.7	37.75	12.9	M12x18	17.5	22	27.5	53	44	23	20	16	60	30	M14x45	130.5	252	8.01	5.4	5.4	4.62	13.98	
RGH 55HA							95	173.8	232	51.9													M14x45	167.8	348	11.15	10.25	10.25	6.4		
RGH 65CA	90	12	31.5	126	76	25	70	160	232	60.8	12.9	M16x20	25	15	15	63	53	26	22	18	75	35	M16x50	213	411.6	16.20	11.59	11.59	8.33	20.22	
RGH 65HA							120	223	295	67.3													M16x50	275.3	572.7	22.55	22.17	22.17	11.62		

注：1 kgf = 9.81 N