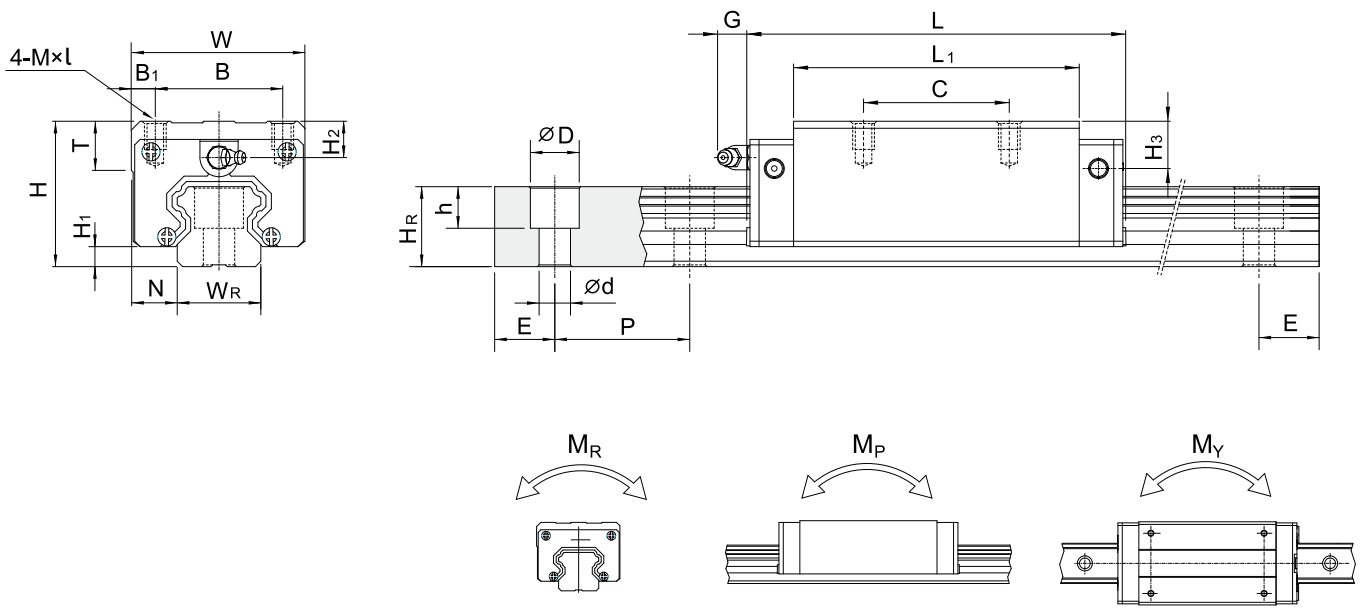


## 2-8-5 QH系列直线导轨尺寸表 (1) QHH-CA / QHH-HA



型号	组件尺寸 (mm)			滑块尺寸 (mm)										导轨尺寸 (mm)					导轨的固定螺栓尺寸 (mm)	基本动额定负荷 C(kN)	基本静额定负荷 C <sub>0</sub> (kN)	容许静力矩			重量				
	H	H <sub>1</sub>	N	W	B	B <sub>1</sub>	C	L <sub>1</sub>	L	G	MxL	T	H <sub>2</sub>	H <sub>3</sub>	W <sub>R</sub>	H <sub>R</sub>	D	h				d	P	E	M <sub>R</sub>	M <sub>P</sub>	M <sub>Y</sub>	滑块	导轨
	kg	kg	kg	kg	kg	kg	kg	kg	kg	kg	kg	kg	kg	kg	kg	kg	kg	kg	kg	kg	kg	kg	kg	kg	kg	kg	kg		
QHH15CA	28	4	9.5	34	26	4	26	39.4	61.4	5.3	M4 x 5	6	8.5	9.75	15	15	7.5	5.3	4.5	60	20	M4x16	13.88	21.42	0.14	0.12	0.12	0.18	1.45
QHH20CA	30	4.6	12	44	32	6	36	50.5	77.5	12	M5 x 6	8	6	7	20	17.5	9.5	8.5	6	60	20	M5x16	23.08	34.93	0.35	0.26	0.26	0.29	2.21
QHH20HA							50	65.2	92.2														27.53	43.09	0.42	0.30	0.30	0.38	
QHH25CA	40	5.5	12.5	48	35	6.5	35	58	85	12	M6 x 8	8	10	12.5	23	22	11	9	7	60	20	M6x20	31.78	51.87	0.59	0.48	0.48	0.50	3.21
QHH25HA							50	78.6	105.6														39.30	67.06	0.77	0.58	0.58	0.68	
QHH30CA	45	6	16	60	40	10	40	70	97.4	12	M8x10	8.5	9.5	9	28	26	14	12	9	80	20	M8x25	46.49	76.67	0.97	0.81	0.81	0.87	4.47
QHH30HA							60	93	120.4														56.72	103.65	1.32	1.12	1.12	1.15	
QHH35CA	55	7.5	18	70	50	10	50	80	112.4	12	M8x12	10.2	16	13.5	34	29	14	12	9	80	20	M8x25	60.52	94.96	1.60	1.13	1.13	1.44	6.30
QHH35HA							72	105.8	138.2														73.59	128.29	2.15	1.56	1.56	1.90	
QHH45CA	70	9.2	20.5	86	60	13	60	97	139.4	12.9	M10x17	16	18.5	30.5	45	38	20	17	14	105	22.5	M12x35	89.21	143.93	2.78	2.09	2.09	2.72	10.41

注：1 kgf = 9.81 N